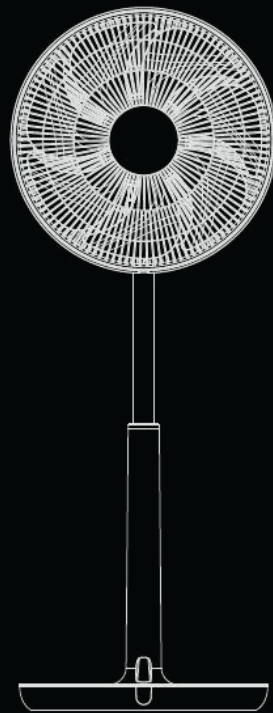


devola

Comfortable living everyday

Instruction Manual



Devola Devola Ultra Quiet 16-inch DC Pedestal Fan

DV16DCPF



devola.co.uk

Safety instructions

Precautions

Transport

- *When moving, be sure to stop the host and unplug the power cord.
- *Please hold the fan column firmly to avoid falling and hurting people.

Installation

- *Please be sure to install this product correctly according to the instructions, otherwise electric shock, fire, personal injury and other damage may occur.
- *Do not connect to the power supply before the fan is assembled.

Using

- *If the product has abnormal noise, odor, high temperature, irregular fan rotation, etc., please stop using it immediately.
- *Do not lean on or tilt the fan during operation.
- *Do not manually swing the machine head repeatedly to avoid damage to the internal transmission structure.

Power Cable

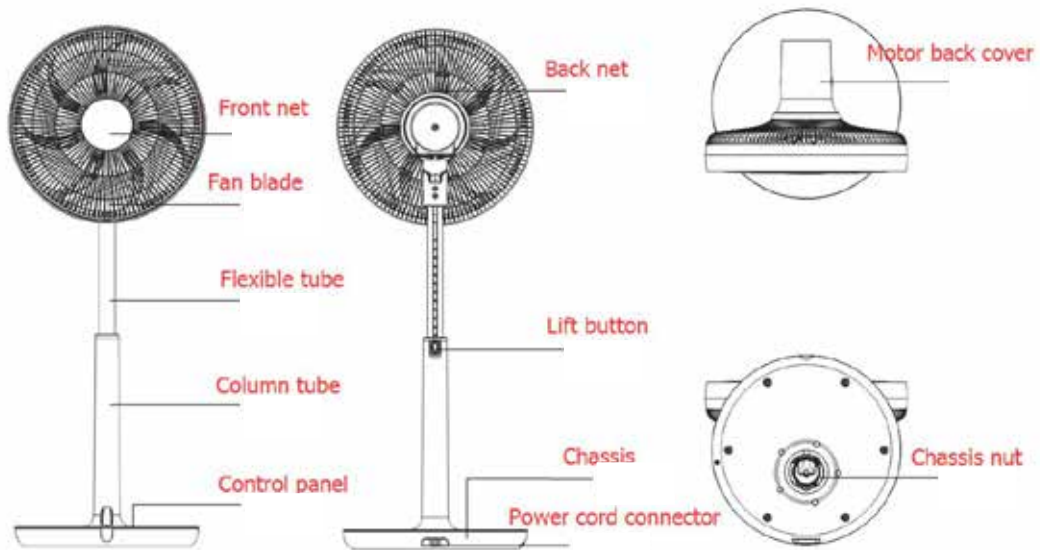
- *Before performing maintenance work or moving the fan body, disconnect the AC power cord from the AC power outlet. *When disconnecting, do not pull the AC power cord. *If the power cord is damaged, it must be replaced with a special cord or a special component purchased from a regular channel or fixed by a qualified electrician.

Warning

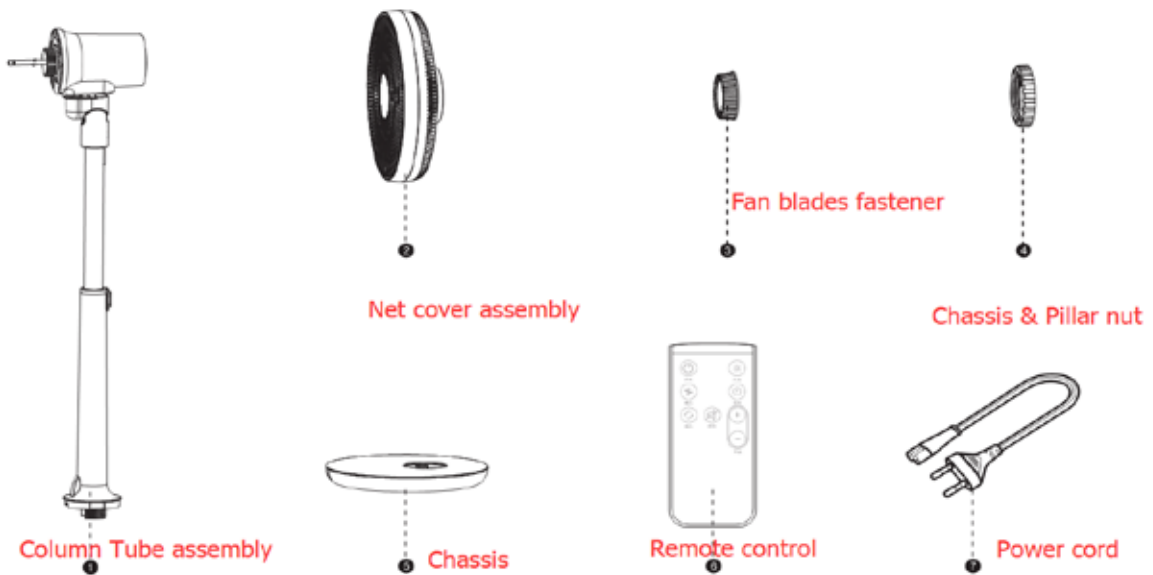
If used improperly, electric shock, fire, personal injury and other damage may occur.

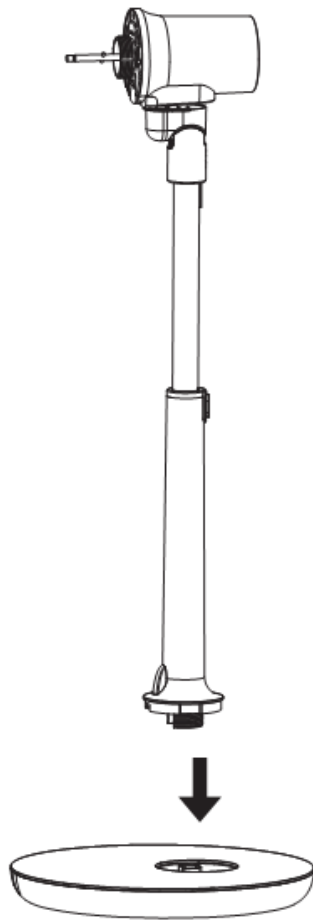
- *Do not use this product in an easily tipped or unstable place.
- *Do not use this product in places where there are easily toppled or unstable objects nearby.
- *Do not use this product in high temperature and humid environments such as bathrooms. *Do not use this product when the power cord is damaged, or the power cord plug is loose.
- *Please do not operate this product if the front net of the fan is not installed or the rear cover of the fan is loose or falling off.
- *Do not allow children or adults who do not understand the manual to operate this product. *Do not disassemble this product privately. *Do not pinch, bend, or twist the AC power cord excessively to prevent the core from being exposed or broken.
- *Do not insert fingers or foreign objects into the front net of the fan, the rear cover of the fan or the running fan blade.
- *Do not put hair, fabrics, etc. close to the fan to avoid being caught in danger.
- *Do not use inappropriate AC power outlets.
- *Do not use the AC power cord provided with this product on any other devices.

Parts Identification

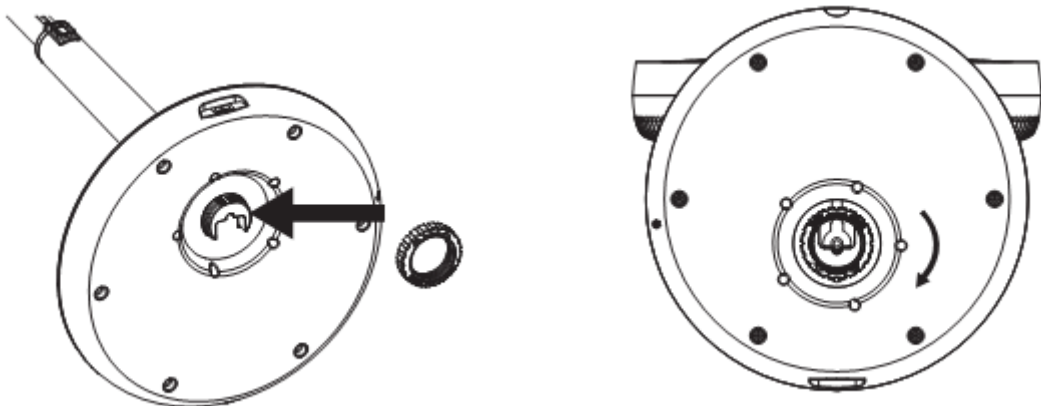


Installation





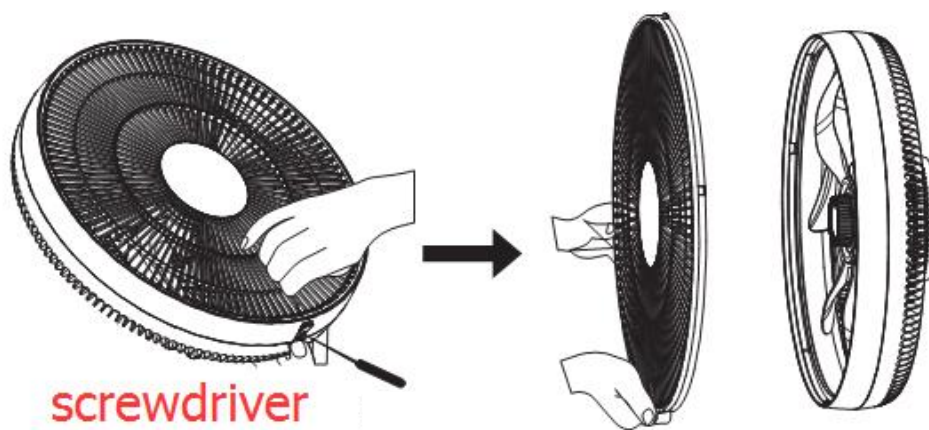
1. Align the pedestal tube with the socket located on the top of the fan base, then insert the lower end of the tube into the socket.



2. Check that the two components are correctly locked into place, turning the nut clockwise to affix the tube to the base, as per the above illustrations.

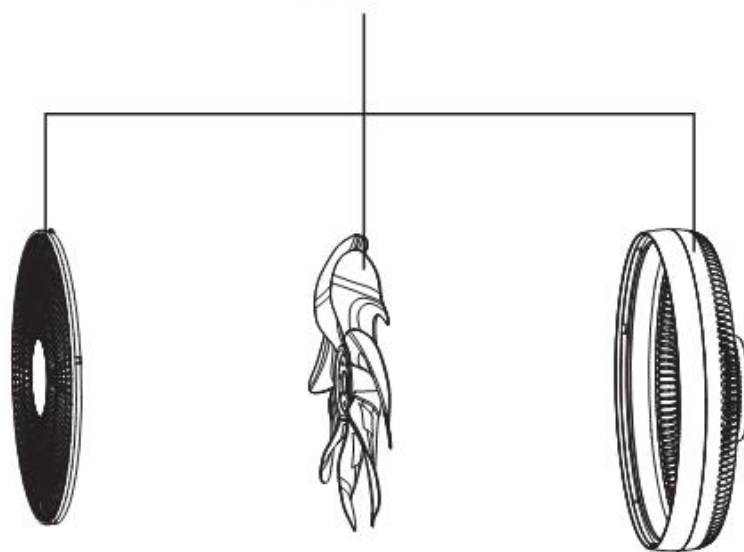
Grille Assembly

Take out the grille assembly and use a screwdriver to remove the front grille screws; press down the front grille buckle with your hands to detach the front grille. (The operation is shown in the figure below).



screwdriver

Grille Assembly



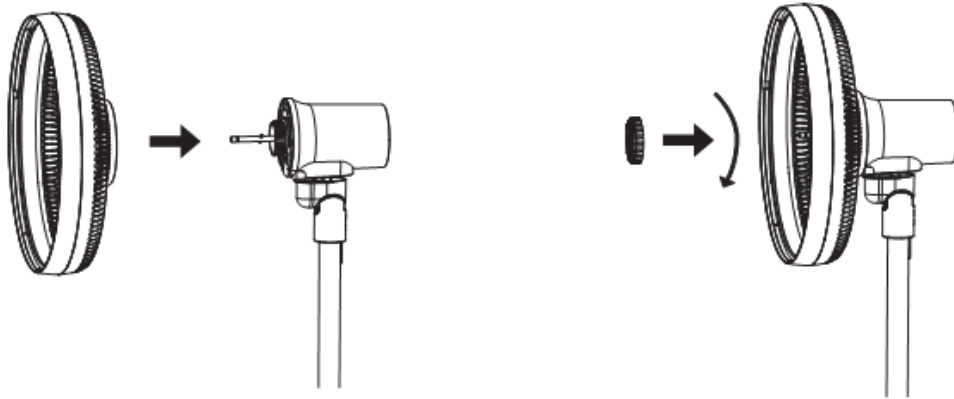
Front grille

Fan blades

Back grille

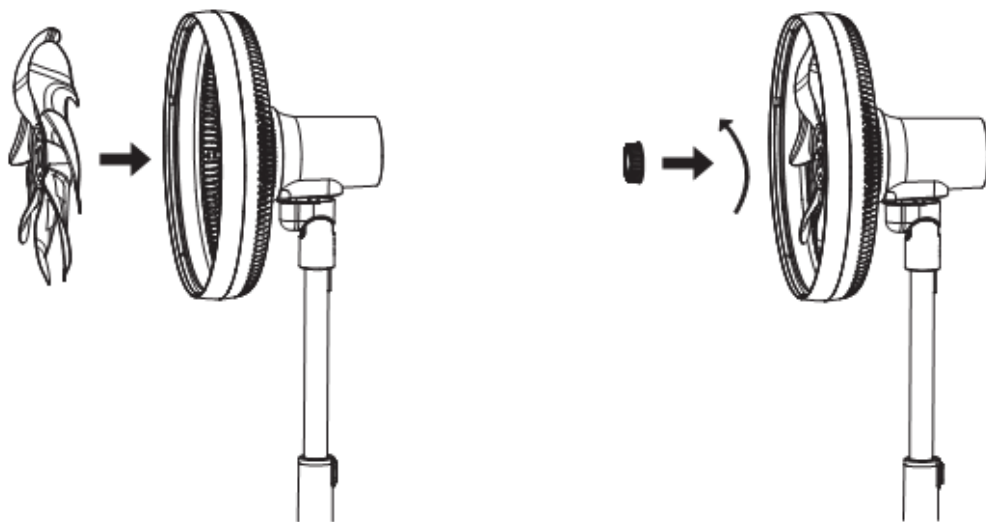
Installing the Rear Grille

Align the fan's rear grille with the motor head at the top of the pedestal tube and attach it to the motor head by screwing the nut in a clockwise direction, as below.



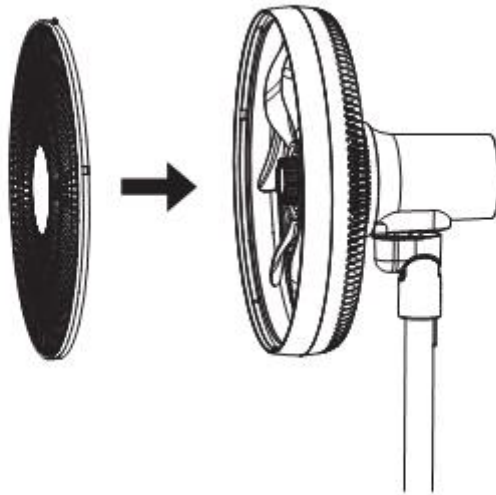
Installing the Fan Blades

Align the hole at the centre of the fan blade with the motor shaft and secure the fan blades by turning the nut anti-clockwise.



Installing the Front Grille

Insert the front grille of the fan into the frame of the fan rear net and rotate the front grille clockwise until it is slotted in the correct position.



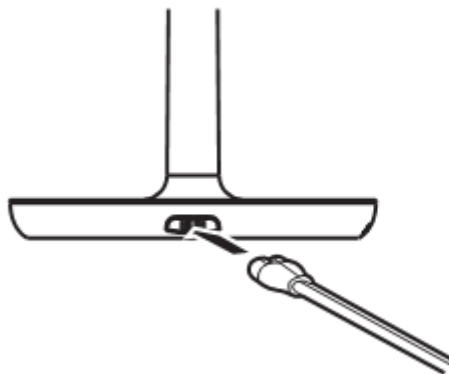
Affix the Fan Grille

Insert the screws into the holes at the bottom of the fan grille and use a Phillips screwdriver to tighten them by turning it clockwise.



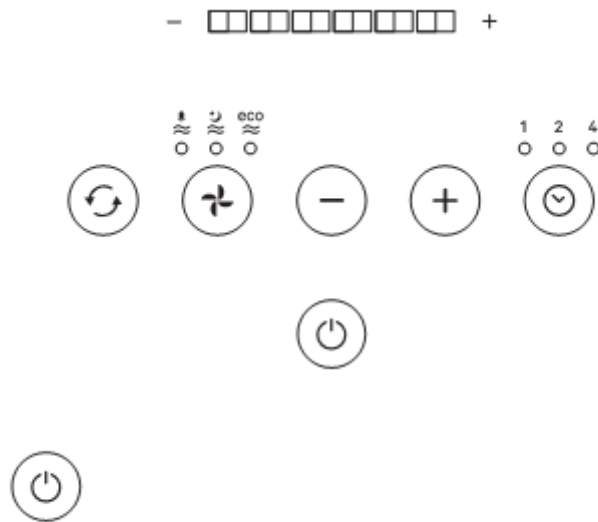
Connecting to Power

Connect the power supply cord to the power cord interface at the bottom of the base, and then connect to the power source. After hearing the “di” prompt, the fan is successfully connected to the power source.



Operating Instructions

Operation Panel



Power Switch

1. Plug in the power supply and the fan will enter the standby state. Press the power switch button and the fan begins to operate. When used for the first time, the default wind speed is level one. When the fan is turned off and turned on again, the fan defaults to the wind speed of when it was last in operation.
2. When the fan is running, press the switch button and the fan stops working.

Oscillation

When the fan is running, press the oscillation button for the fan to swing left and right and the oscillation indicator will illuminate. Press the oscillation button again and the fan stops swinging and the indicator turns off.

Mode

When the fan is running, press the mode button to enter the wind mode selection state, which is divided into four modes: normal wind, natural wind, sleep wind, and eco. Normal wind is not shown on the display, while the other three wind modes have corresponding indicator lights, as below.

MODE	NORMAL	NATURE	SLEEP	ECO
Display Status	• • •	* • •	• * •	• • *

Wind Mode Description

Normal Wind: The fan operates in the gear speed selected by the user until it's switched off or the timer switches it off.

Nature Wind: The fan speed is automatically varied to stipulate a natural sea breeze.

Sleep Wind: The selected wind speed is reduced by one gear every half an hour. This

pattern occurs until the fan reaches gear speed one, which it will stay in until switched off manually or by the timer.

ECO: When the ECO mode is turned on, the fan will automatically run according to the detected temperature. The ambient temperature is detected every 30 seconds. There are a total of 7 settings, as described in the following table:

temperature	< 23°C	23 ~ 25°C	25 ~ 27°C	27 ~ 29°C	29 ~ 31°C	31 ~ 33°C	> 33°C
wind speed	2	4	6	8	9	10	12
display status


Wind Speed



When the fan is running, press the  button to increase the wind speed. The wind speed ranges from 1-12. The gear lights are shown as follows:


Wind Speed	1	2	3	4
Display Status
Wind Speed	5	6	7	8
Display Status
Wind Speed	9	10	11	12
Display Status



When the gear speed is operating at 2 or above use the  button to decrease the wind speed. The gear indicator shows the reverse direction as shown in the above table.

Timer



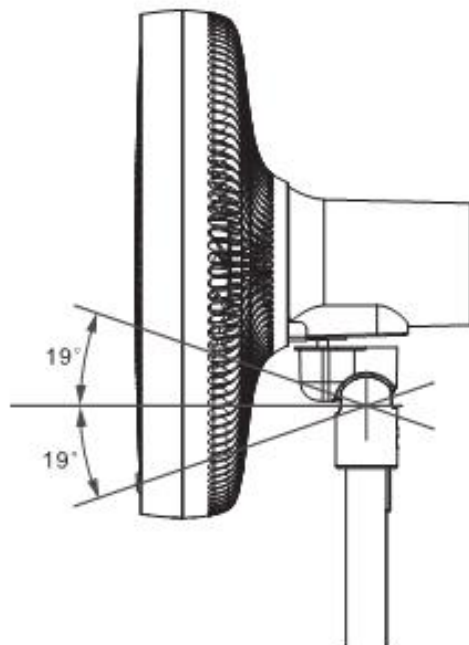
Press the  button in the running state to set a shutdown timer. The timer can be set between 1 and 7 hours, in one-hour increments. The timer does not have a shutdown memory function. When a timer is set, the corresponding indicator lights up. The lighting sequence of the indicators is as follows:

Timer	Untimed	1	2	3	4	5	6	7
Display Status	● ● ●	● ● ●	● ● ●	● ● ●	● ● ●	● ● ●	● ● ●	● ● ●

⊛ Light on ● Light off

Elevation Air Supply

When adjusting the fan to blow up or down, you can slightly lift or lightly press the machine head or fan screen to adjust. The air supply angle is shown in the figure below:



Remote Control

The below remote-control functions are as per the control panel instructions, however, there are two additional function keys.

Button	Function Description
Power Switch	Turns the fan on/off.
Light	Switch the display indicators on/off.
Mode	Cycle between normal wind, sleep wind, nature wind, and ECO mode.
Timer	Set a shutdown timer between 1 and 7 hours.
Oscillation	Turns the oscillate function on/off.
Mute	Turns off all key sounds.
Wind Speed	“+” increase one gear,“-”decrease one gear



Battery

Polarity of the battery

Incorrect installation will cause battery leakage and corrosion, and cause damage to the remote control. Please observe the following prevention methods:

1. When replacing the battery, be sure to use a brand-new battery.
2. Do not try to change, short-circuit, or disassemble the battery to avoid danger.
3. Please install the battery according to the positive and negative poles only.
4. When not in use for a long time, please remove the battery to avoid battery leakage.
5. Replace the remote-control battery as shown in the figure below:



Troubleshooting

Failure	Potential Cause	Solution
The fan does not work	The power outlet is dead.	Replace with a live socket.
	The power cord is not properly connected.	Connect the power cord correctly
	The fan column and the chassis are not installed properly.	The fan column is aligned with the chassis socket, and the connection screw is locked.
There is abnormal noise when the fan's running.	The fan blades are too dirty	Refer to the installation to remove the front net and clean the fan blades.
	The motor blades are loose.	Refer to the installation to remove the front net and tighten the nut.

	The motor is faulty.	Please send it to the dealer or contact our company for processing.
The fan doesn't oscillate.	The correct function button is not pressed	Please select the correct function key.
	The function button is faulty	Please send it to the dealer or contact our company for processing.
The fan blade is stuck.	The fan blades are stuck by foreign objects.	Turn off the fan power and remove any foreign objects.

Basic parameters

Product Name	DC Pedestal Air Circulator
Model Number	DV16DCPF
Fan Blade Size	290mm
Rated Voltage	220V~
Rated Frequency	50Hz
Rated Power	28W
Product Weight	3.5±0.2kg
Product Size	W398 x D370 x H822 ~ 1050mm

Cleaning & Maintenance

Parts that can be cleaned:

The following parts can be cleaned with water or diluted neutral detergent with a soft cloth or sponge.



Front Grille



Fan Blades



Back Grille



Chassis & Pillar Nut

Note: Be sure to stop the fan, and then disassemble and clean the machine after power off; after cleaning, please completely dry the parts before installing and using, and avoid direct sunlight.

Parts that cannot be cleaned:

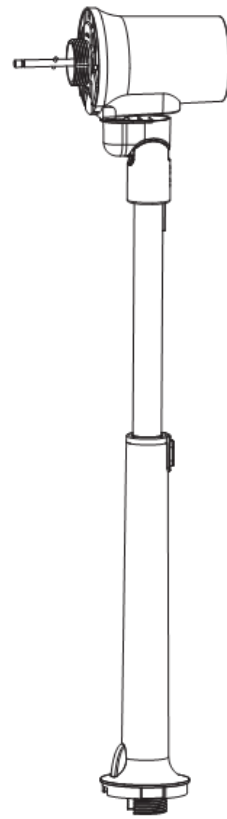
Please wipe the following parts gently with a soft dry cloth.



Fan Blade Fastener



Chassis



Pillar Part

Note: Do not wash the above parts with water. Do not use thinner, light gasoline, detergent or alkaline detergent to clean the above parts.



Product Registration

Register your warranty online
within 30 days of purchase.

www.devola.co.uk/warranty



10% OFF

Use this discount code on your next order

DEV10



Scan for technical details



devola.co.uk

Unit 1, Reedswood Park Road, Walsall, West Midlands. WS2 8DQ

Helpline 0800 043 4243 Email info@devola.co.uk